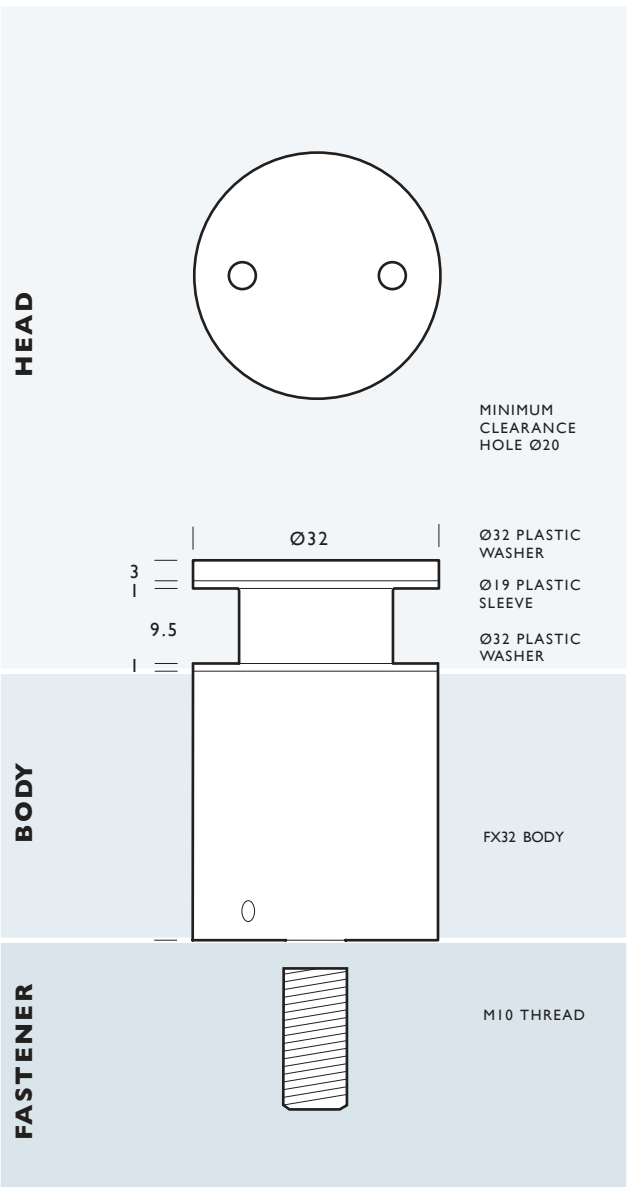


FX32 DUO

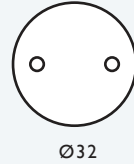
LOW PROFILE

32mm DIAMETER STRUCTURAL LOW PROFILE HEAD

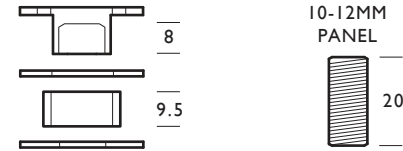


HEAD:

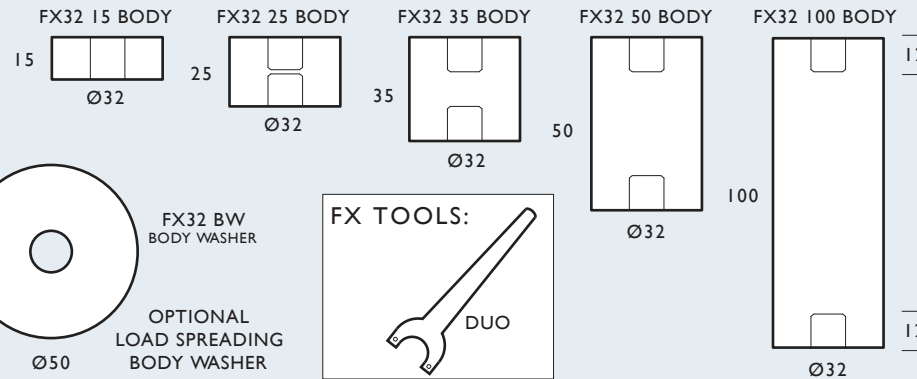
FX32 DUO



FX32 DUO HEAD PACK:

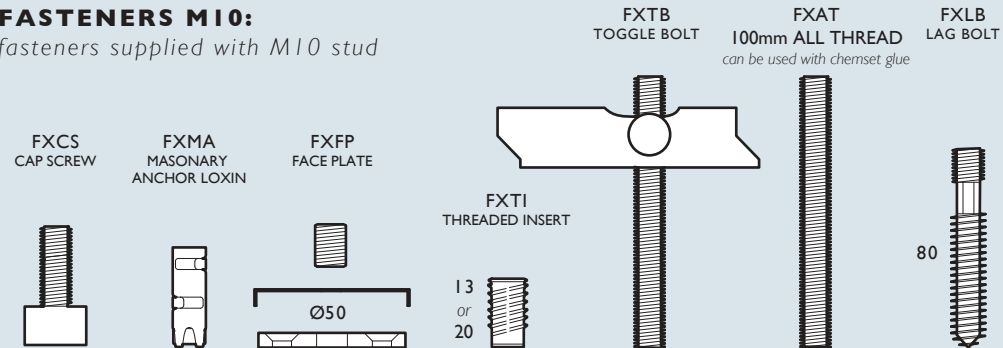


BODIES:



FASTENERS M10:

fasteners supplied with M10 stud



MATERIAL:

316 Grade Stainless Steel

PANEL THICKNESS:

Head Pack 10 - 12mm

Optional studs available:

16mm, 20mm, 25mm, 30mm, 35mm, 40mm, 50mm

MINIMUM CLEARANCE HOLE:

With isolating sleeve Ø20

Without isolating sleeve Ø17

THREAD:

Head: M10 x 8mm

Fastener: M10 x 12mm

FINISH:

Satin Stainless Steel

LOCATION:

Interior and exterior applications

PRODUCT COMPLIANCY:

As FIX Systems are not certified engineers, it is the buyer's responsibility to ensure that the application of all FIX products is suitable for its intended use and that it is compliant with relevant safety standards.

