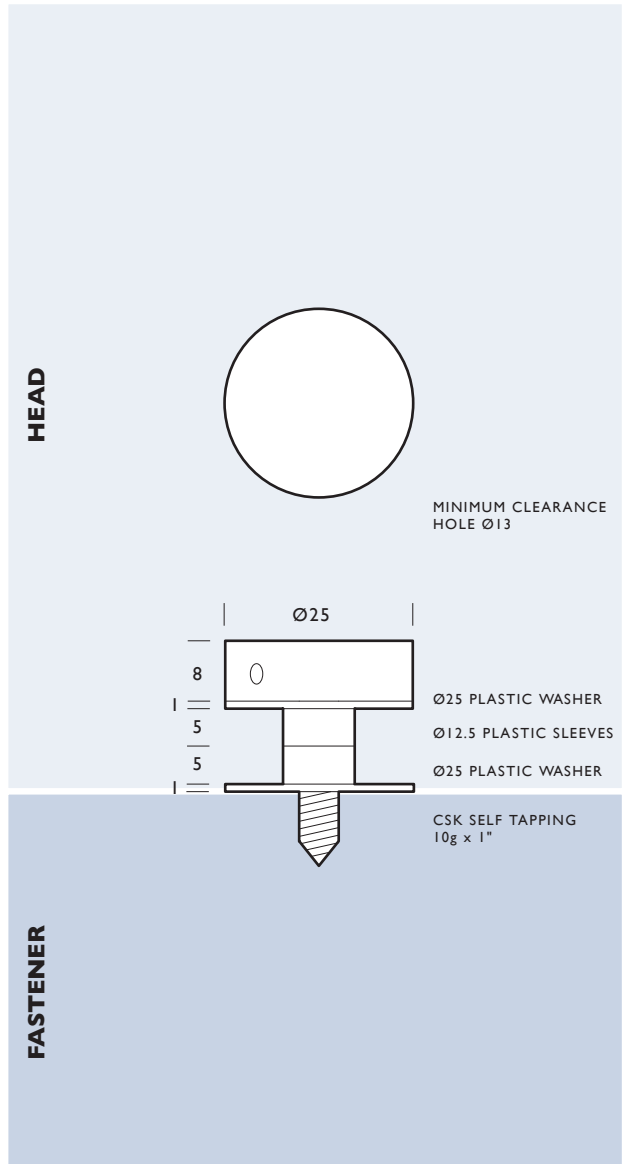


25mm DIAMETER PANEL SCREW FIXING

FX25 PSF

PANEL SCREW FIXING

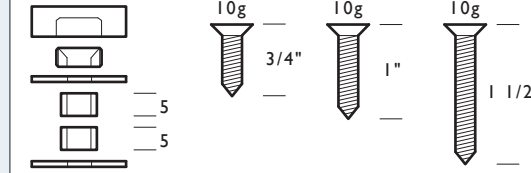


HEADS:

FX25 PSF HEAD

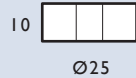


FX25 PSF FIXING PACK:



BODY:

FX25 10 BODY



FASTENER:

please nominate required screw length

- 1/4" B.S.W COUNTERSUNK MACHINE SCREWS
- 10g SELF DRILLING SCREWS
- 10g SELF TAPPING SCREWS

*VARIOUS LENGTHS AVAILABLE

MATERIAL:

316 Grade Stainless Steel

PANEL THICKNESS:

Head Pack 6 - 12mm
or 1-12mm other sheet materials

Can be used with any 10g countersunk self tapping, self drilling or machine screw.

MINIMUM CLEARANCE HOLE:

With isolating sleeve Ø13
Without isolating sleeve Ø7

SCREW:

10g countersunk screw

FINISH:

Satin Stainless Steel

LOCATION:

Interior and exterior applications

PRODUCT COMPLIANCY:

As FIX Systems are not certified engineers, it is the buyer's responsibility to ensure that the application of all FIX products is suitable for its intended use and that it is compliant with relevant safety standards.

