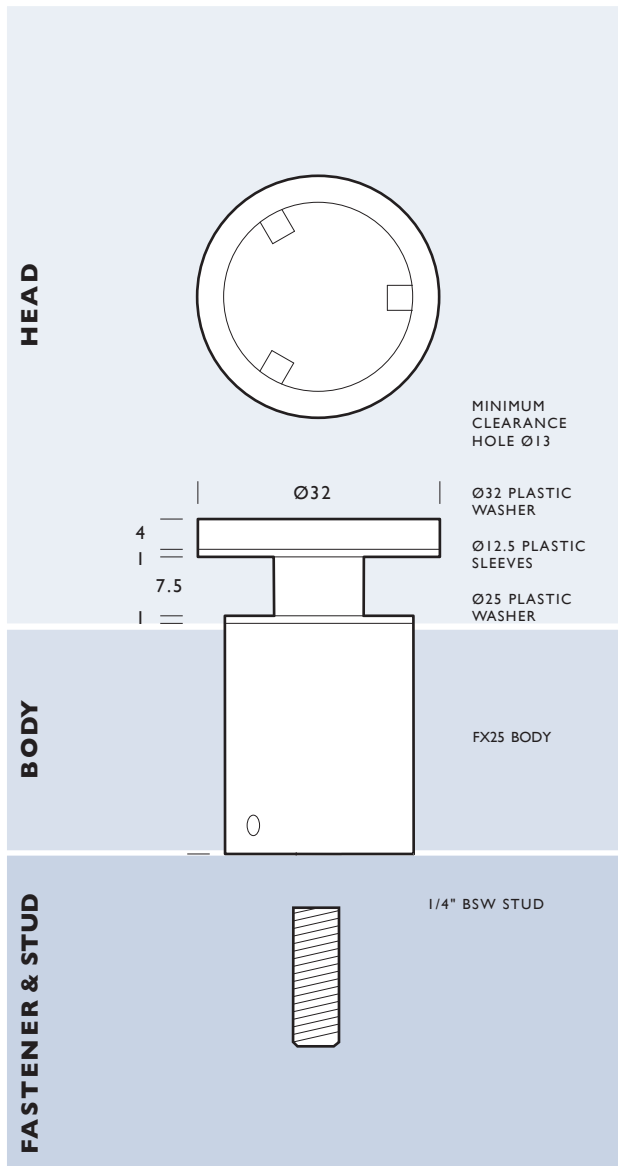


FX32 TRI PLUS

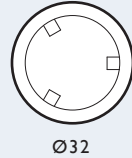
LOW PROFILE

32mm DIAMETER LOW PROFILE HEAD

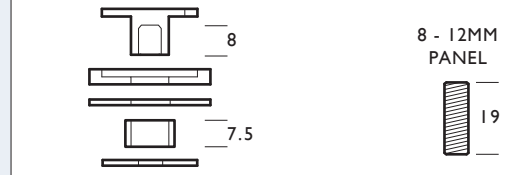


HEAD:

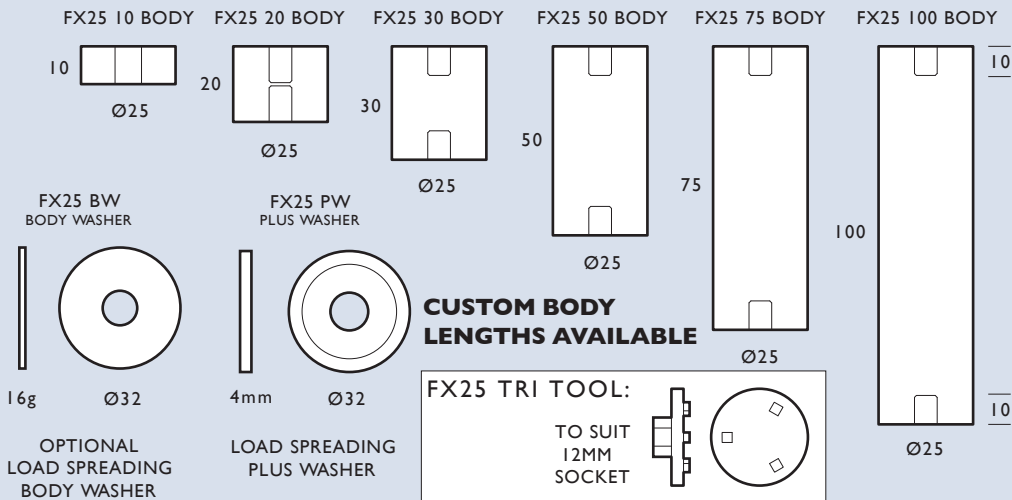
FX32 TRI PLUS



FX32 TRI PLUS HEAD PACK:



BODIES:



MATERIAL:

- 316 Grade Stainless Steel

PANEL THICKNESS:

Head Pack 8 - 12mm
Optional studs available:
19mm, 22mm, 25mm, 27mm, 29mm,
32mm, 38mm, 51mm, 75mm, 100mm

MINIMUM CLEARANCE HOLE:

With isolating sleeve Ø13
Without isolating sleeve Ø10

THREAD:

Head: 1/4" B.S.W x 8mm
Fastener: 1/4" B.S.W x 10mm

FINISH:

Satin Stainless Steel

LOCATION:

Interior and exterior applications

PRODUCT COMPLIANCY:

As FIX Systems are not certified engineers, it is the buyer's responsibility to ensure that the application of all FIX products is suitable for its intended use and that it is compliant with relevant safety standards.

